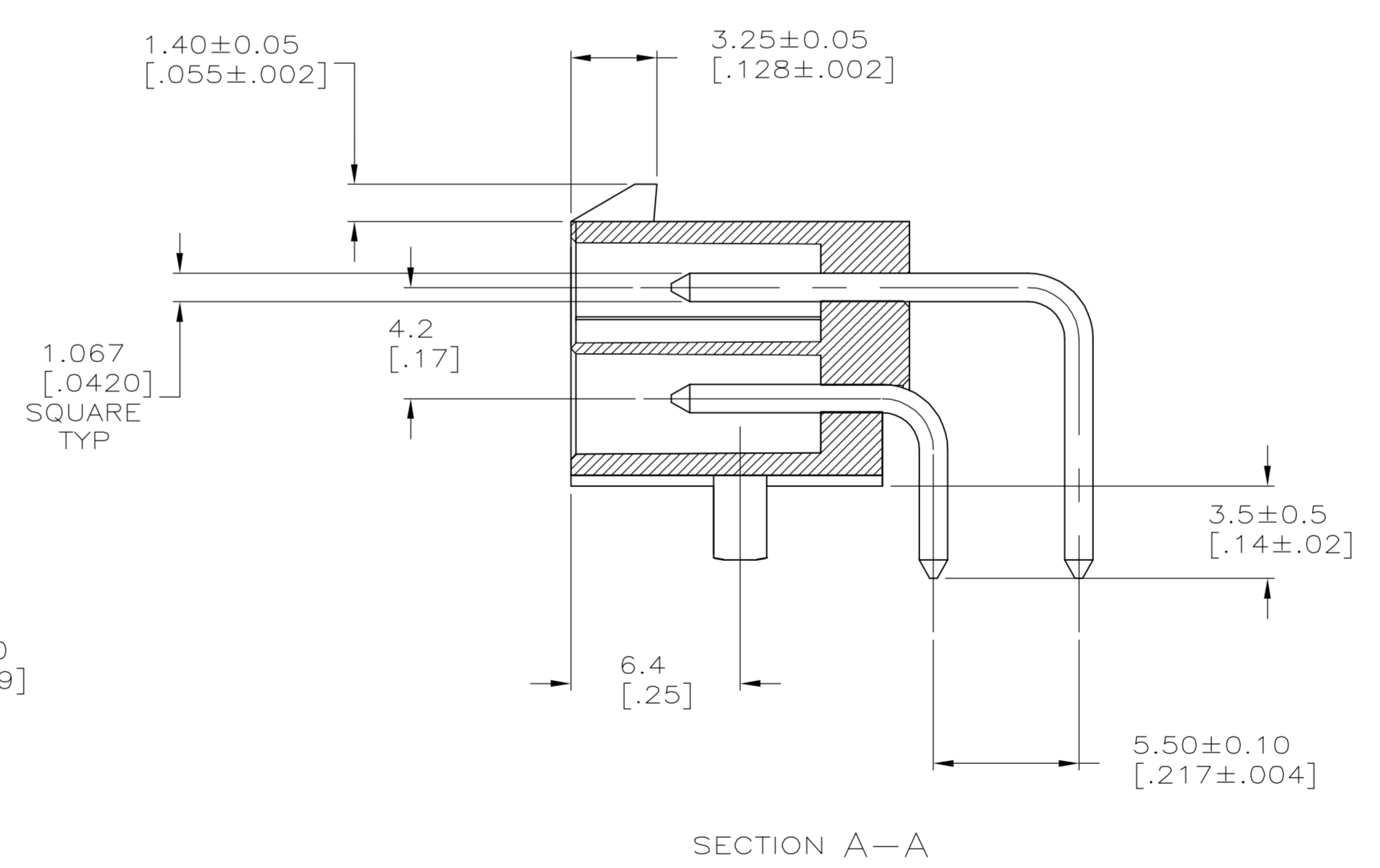
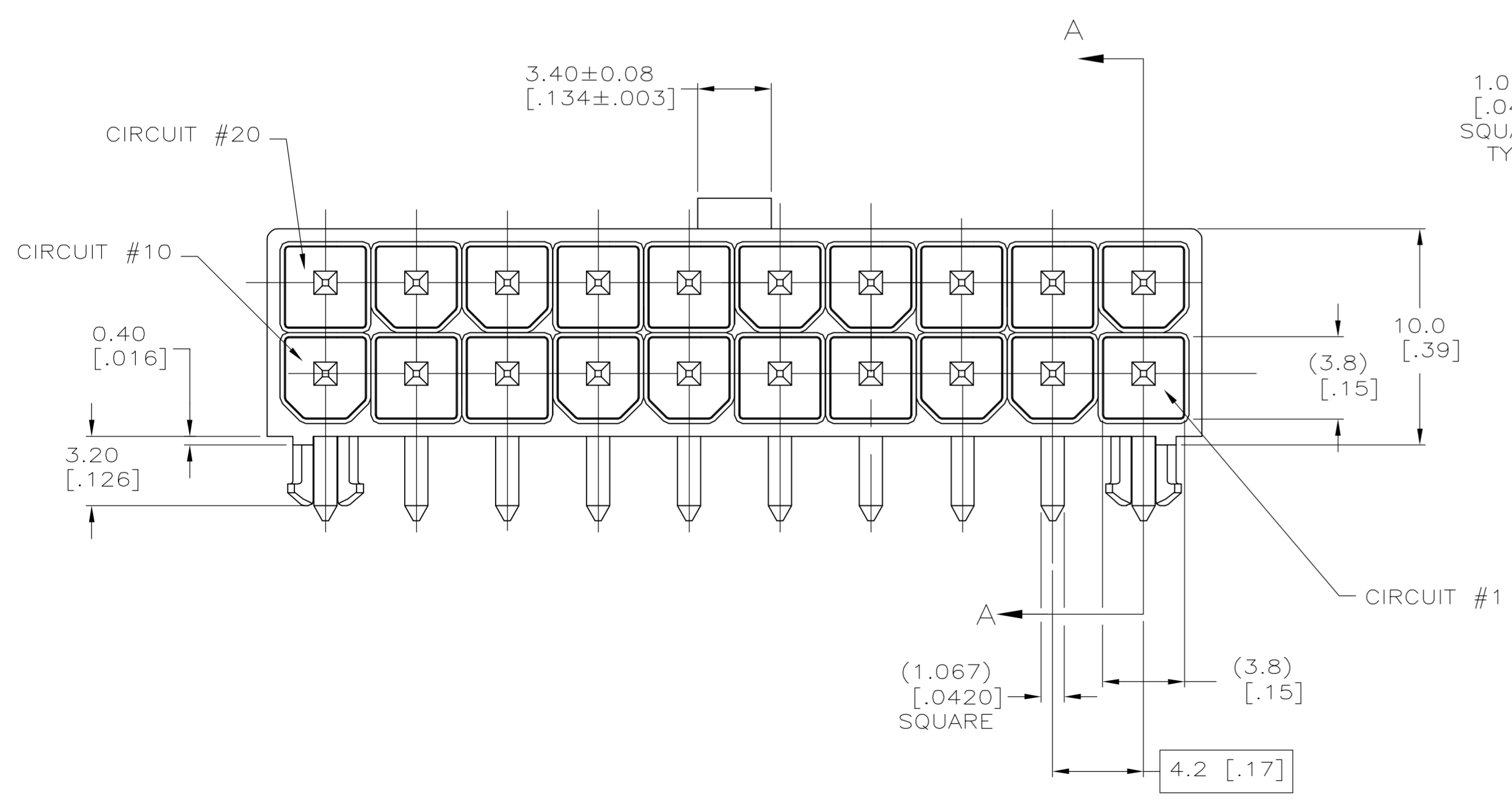
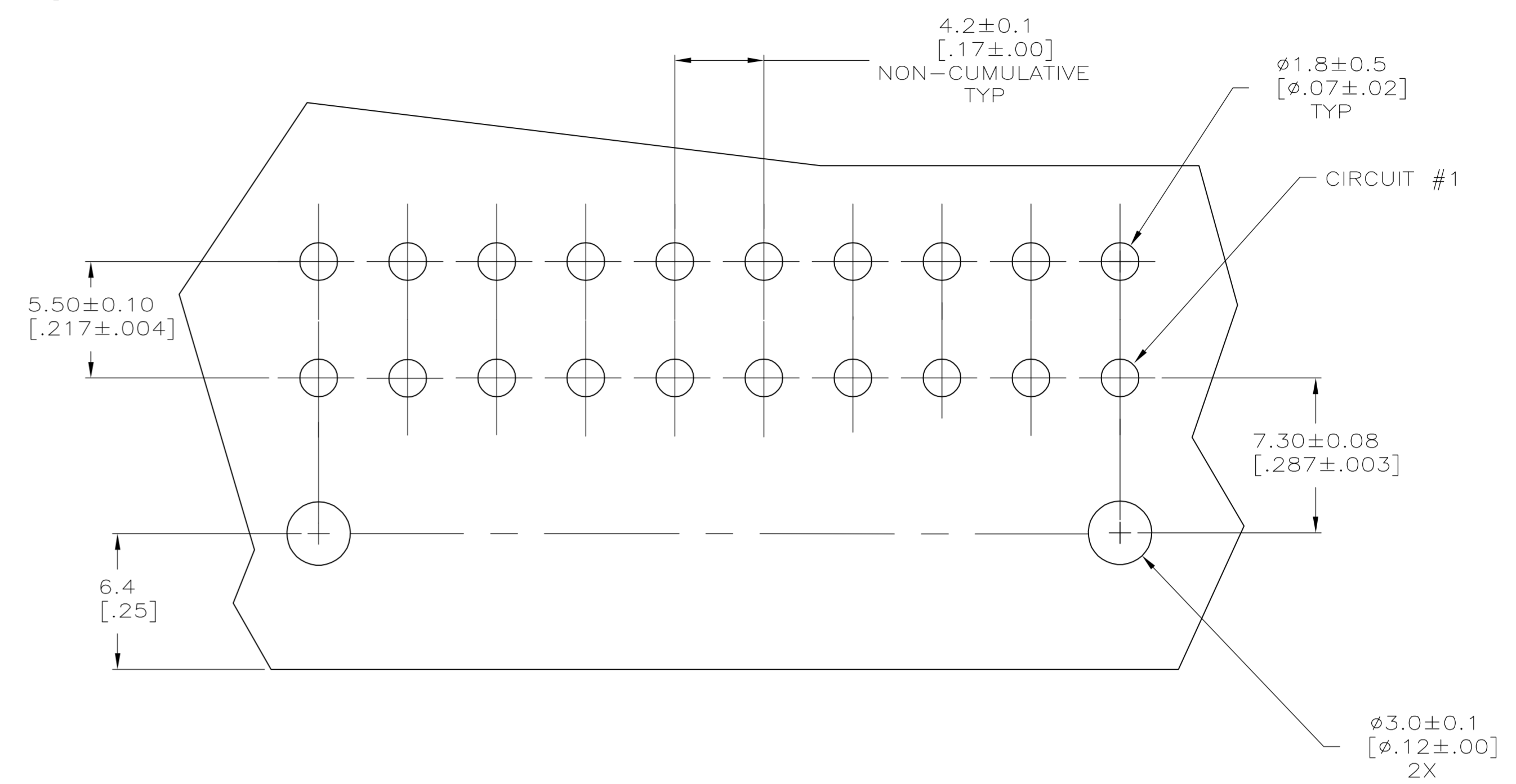
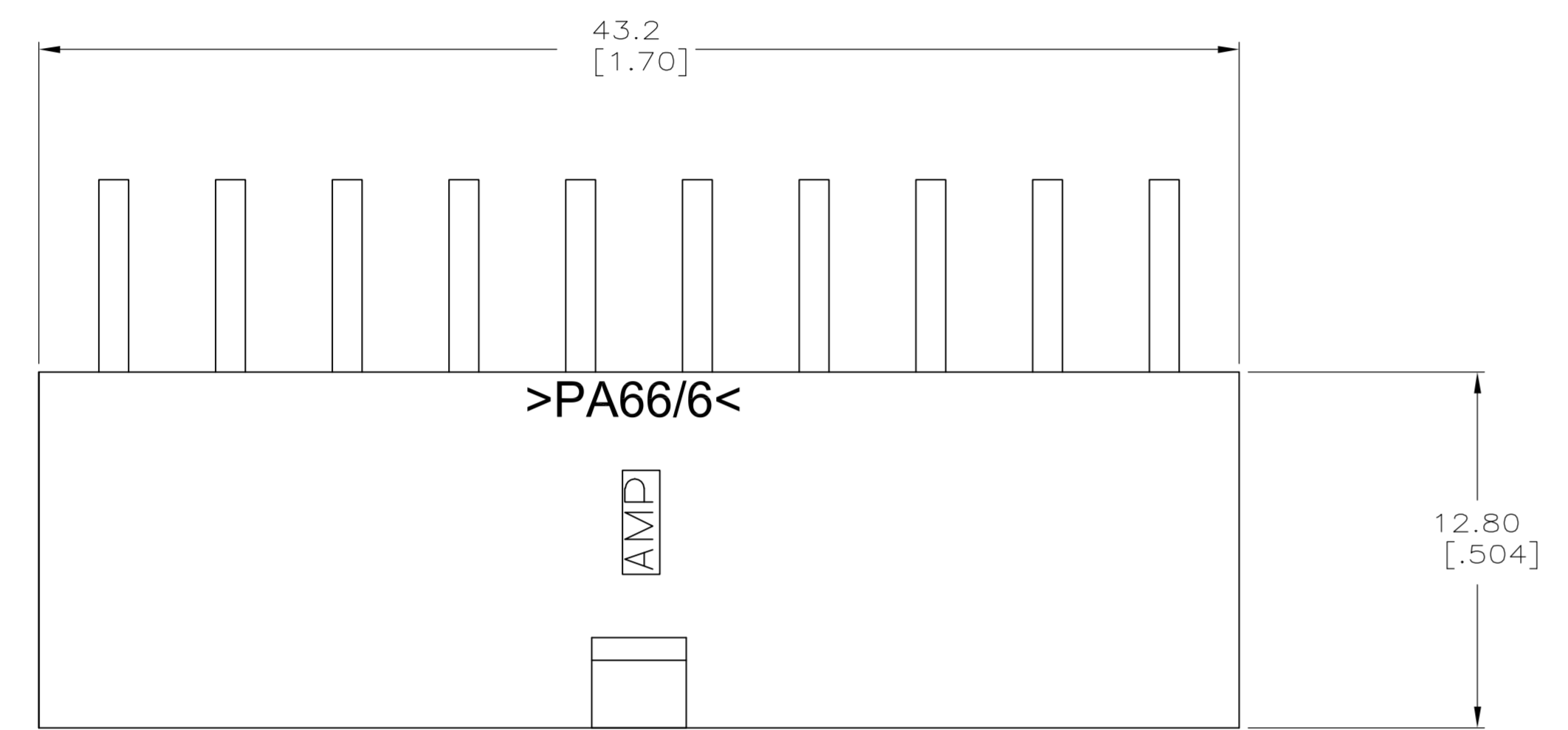


LOC		DIST		REVISIONS			
P	LTR	DESCRIPTION	DATE	DN	APVD		
C		REVISED PER ECO-06-014772	13NOV06	KW	DC		

- 1 MATERIAL: HOUSING - NYLON, UL94V-0 (COLOR - WHITE).
PIN - 1.067mm² [.0017in²] COPPER ALLOY.
- 2 PINS TO COMPLY WITH SOLDERABILITY SPEC 109-11-3.
- 3 0.00381 [.000150] MINIMUM TIN LEAD OVER 0.00127 [.000050] MINIMUM NICKEL, ENTIRE LENGTH OF PIN.
- 4 NOTE DELETED.
- 5 0.00381 [.000150] MINIMUM TIN OVER 0.00127 [.000050] MINIMUM NICKEL, ENTIRE LENGTH OF PIN.



SUPERSEDED BY 1-794534-1

1	5	1	1	1-794534-1
1	3	1	1	794534-1
MATERIAL		FINISH		ASSEMBLY
PIN		HOUSING		

METRIC

THIS DRAWING IS A CONTROLLED DOCUMENT.

DIMENSIONS:	TOLERANCES UNLESS OTHERWISE SPECIFIED:	0 PLG ± .02 [0.1]	1 PLG ± .02 [0.1]	2 PLG ± .013 [0.05]	3 PLG ± .013 [0.05]	4 PLG ± .013 [0.05]	ANGLES: ± 30°	FINISH: SEE CHART	MATERIAL: SEE CHART
-------------	--	-------------------	-------------------	---------------------	---------------------	---------------------	---------------	-------------------	---------------------

DN: S. HOOVER	02-MAR-2005	Tyco Electronics Corporation Harrisburg, Pa 17105-3608
CHK: D. COLEY	02-MAR-2005	
APVD: D. COLEY	02-MAR-2005	NAME: ASSEMBLY, HEADER, RIGHT ANGLE, 20 POSITION, W/PEGS, 94V-0, AMP-DUAC(TM) POWER CONNECTOR
PRODUCT SPEC: 108-1646	APPLICATION SPEC: 114-6067	SIZE: A1
WEIGHT: CUSTOMER DRAWING	SCALE: 5:1	SHEET 1 OF 1